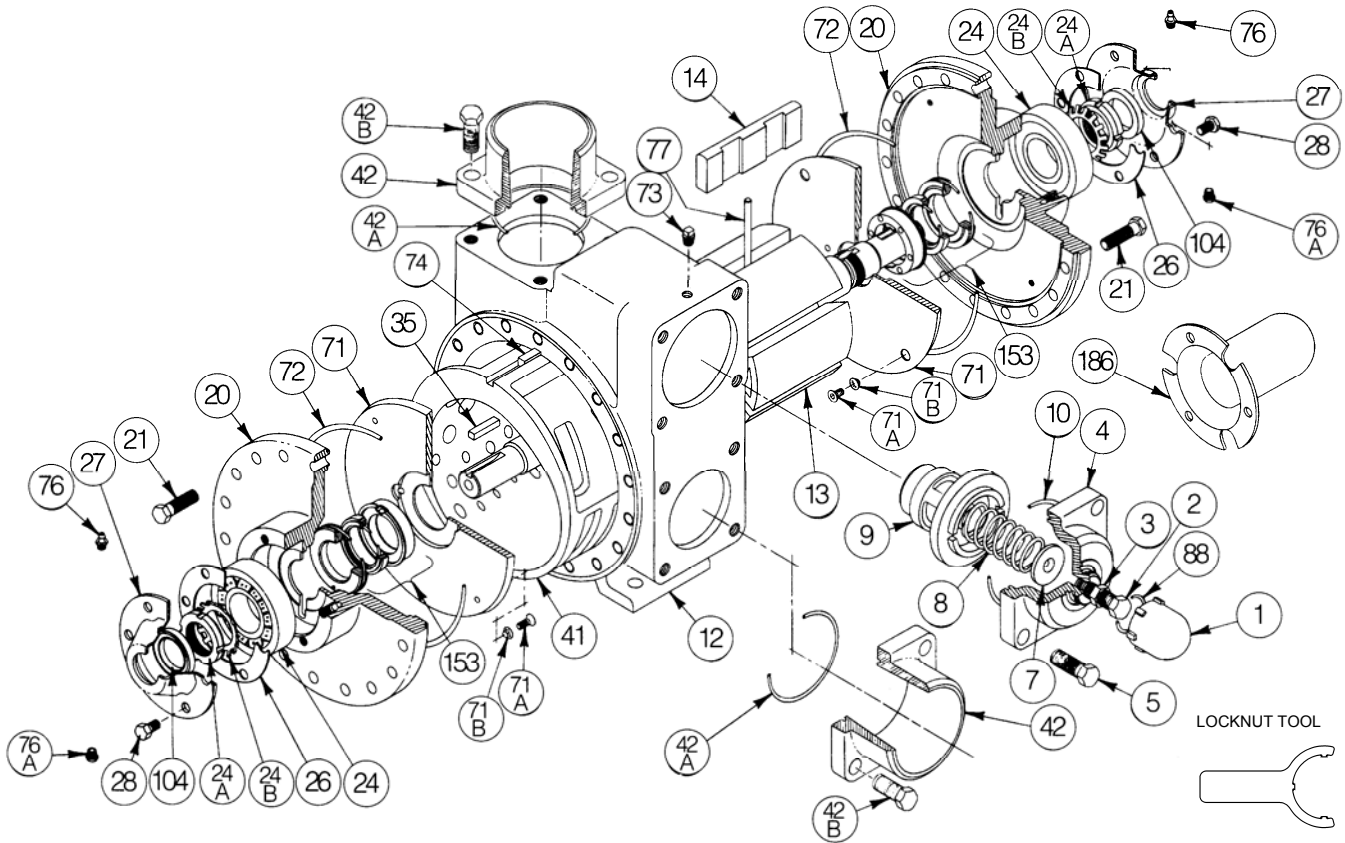


BLACKMER PARTS LIST

PUMP MODELS: SGLD4B

Keep with Instructions 801-B00 for Installation, Operation and Maintenance

Section 801
Effective Jul 2010
Replaces Jan 2010

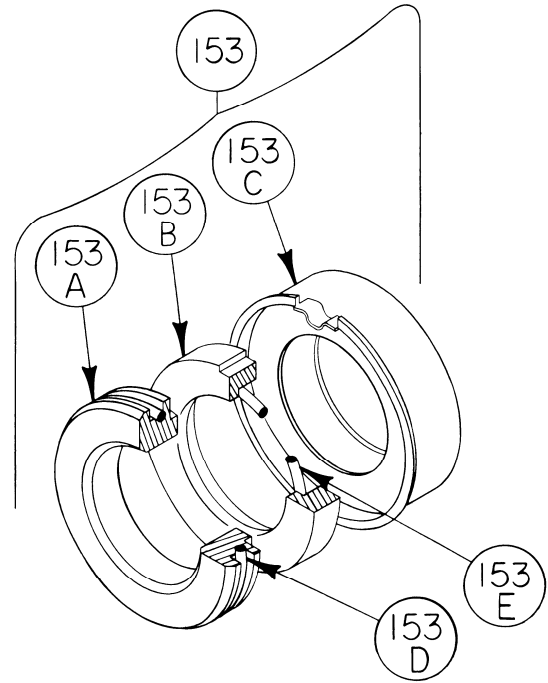


Ref. No.	Description	Parts per Pump	Part No.	Ref. No.	Description	Parts per Pump	Part No.
1	Relief Valve (R/V) Cap	1	413957	42	Weld Flange – 3"	1-2	652007
2	R/V Adjusting Screw	1	436310		Weld Flange – 4"		652005
3	R/V Adjusting Screw Locknut	1	432039	42A	O-Ring Flange (HNBR)(STD)	2	¹ 702313
4	R/V Cover	1	412001		O-Ring Flange (FKM)		701968
5	R/V Cover Capscrews	4	920663		O-Ring Flange (PTFE)		702101
7	R/V Spring Guide	1	426355		O-Ring Flange (Neoprene)		702011
8	R/V Spring (51-75 psi) (STD)	1	472009	42B	Capscrew – Weld Flange	8	920640
	R/V Spring (76-125 psi)		472004	71	Disc	2	² 062039
	R/V Spring (126-150 psi)		472039	71A	Machine Screw – Disc	8	² 920015
9	R/V Valve	1	452001	71B	Lockwasher – Disc	8	² 909634
10	O-Ring R/V Cover (HNBR) (STD)	1	¹ 702315	72	O-Ring Head (HNBR) (STD)	2	¹ 702321
	O-Ring R/V Cover (FKM)		711909		O-Ring Head (FKM)		702106
	O-Ring R/V Cover (PTFE)		702099		O-Ring Head (PTFE)		702089
	O-Ring R/V Cover (Neoprene)		702012		O-Ring Head (Neoprene)		702267
12	Casing	1	012019	73	Gage Plug (1/4" NPT)	2	908198
13	Rotor & Shaft (Includes 24A & 24B)	1	² 262041	74	Key – Liner	1	² 182040
14	Duravane (STD)	6	¹ 092019	76	Grease Fitting	2	317815
20	Head	2	032041	76A	Grease Relief Fitting	2	701992
21	Head Capscrews	28	920532	77	Push Rod - composite	3	122009
24*	Ball Bearing	2	¹ 903172	88	O-Ring R/V Cap (HNBR) (STD)	1	¹ 702303
24A	Bearing Locknut	2	² 903541		O-Ring R/V Cap (FKM)		702116
24B	Bearing Lockwasher	2	¹ 903542		O-Ring R/V Cap (PTFE)		702100
26	Bearing Cover Gasket	2	¹ 385125		O-Ring R/V Cap (Neoprene)		711986
27	Bearing Cover	2	041815	104	Grease Seal	2	¹ 331908
28	Bearing Cover Capscrews	12	920285	186	Shaft Protector	1	341801
35	Shaft Key	1	¹ 909183	—	Tool - Locknut	—	903092
41	Liner	1	² 182000	—	Kit – Maintenance	—	898937
				—	Kit – Rebuild	—	899037

¹ Included in Maintenance Kit and Rebuild Kit ² Included in Rebuild Kit

MECHANICAL SEAL

Ref. No.	Part Name	Parts Per Pump	Part No.
153	Mechanical Seal Assembly (STD) Hardened Steel Stationary Seat, Custom Carbon Rotating Seal Face, HNBR O-Rings (SJCJ)	2	332064
	Mechanical Seal Assembly Hardened Steel Stationary Seat, Custom Carbon Rotating Seal Face, FKM O-Rings (SVCV)		332065
	Mechanical Seal Assembly Hardened Steel Stationary Seat, Custom Carbon Rotating Seal Face, PTFE and Kalrez® O-Rings (SACK)		332066
	Mechanical Seal Assembly Hardened Steel Stationary Seat, Custom Carbon Rotating Seal Face, Neoprene O-Rings (SPCP)		332068
	Mechanical Seal Assembly Silicon Carbide Stationary Seat, Custom Carbon Rotating Seal Face, HNBR O-Rings (LJCJ)		332074
153A	Stationary Seat	2	**
153B	Rotating Seal Face	2	**
153C	Jacket Assembly	2	**
153D	O-Ring Stationary (HNBR) (STD)	2	702310
	O-Ring Stationary (FKM)		701921
	O-Ring Stationary (PTFE)		702056
	O-Ring Stationary (Neoprene)		702009
153E	O-Ring Rotating (HNBR) (STD)	2	702305
	O-Ring Rotating (FKM)		701962
	O-Ring Rotating (Kalrez®)		702171
	O-Ring Rotating (Neoprene)		702007



[†] Included in Maintenance Kit and Rebuild Kit.

**Mechanical Seal Ref. No. 153 is only sold as a complete assembly.

Ref. Nos. 153A, 153B, 153C are not available as separate replacement parts.

® Kalrez is a Registered Trademark of the DuPont Co.

