

BLACKMER PUMP PARTS LIST

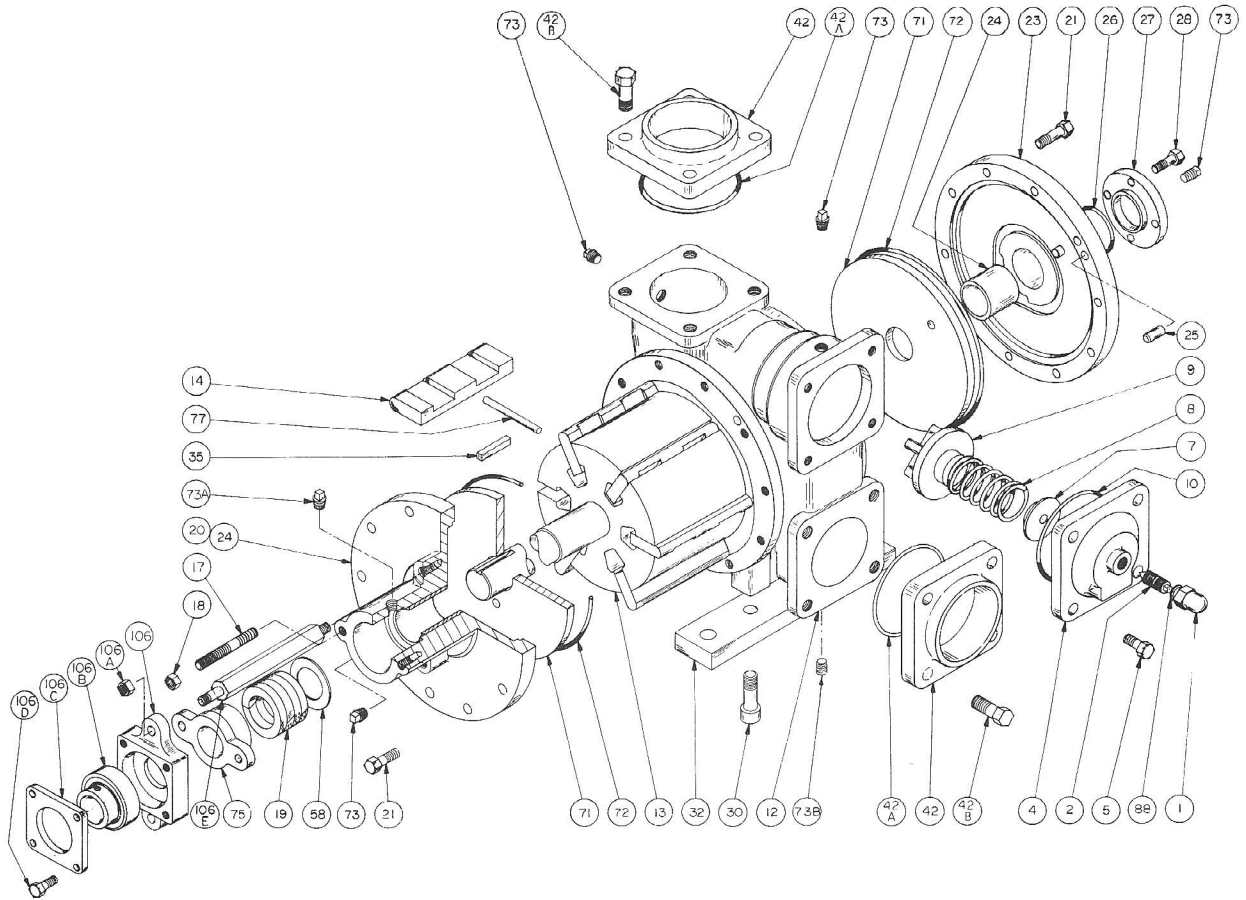
MODEL: STNP3

(See Instructions 285/G for Operation and Maintenance)

Discontinued Model. Parts availability may be limited.

960301
PARTS LIST NO. 285/G1

Section 200
Effective November 1988
Replaces March 1983



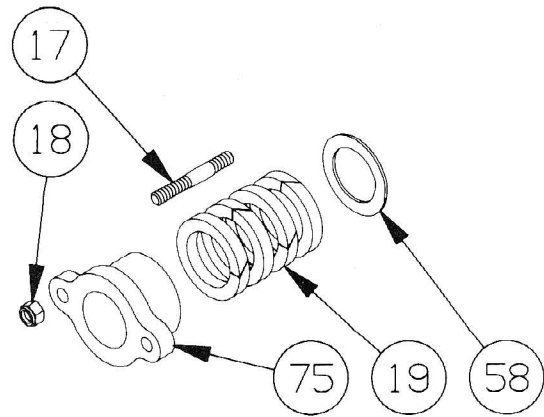
| REF. NO. | PART NAME | PARTS PER PUMP | PART NO. | REF. NO. | PART NAME | PARTS PER PUMP | PART NO. |
|----------|--------------------------------|----------------|----------|----------|----------------------------|----------------|----------|
| 1 | Cap - Relief Valve (R/V) | 1 | 413151 | 28 | Capscrews - Bearing Cover | 4 | 920179 |
| 2 | Adjusting Screw - R/V | 1 | 433101 | 30 | Screws - Foot Bracket | 4 | 920466 |
| 4 | Cover - R/V | 1 | 412201 | 32 | Foot Bracket | 2 | 832201 |
| 5 | Capscrews - R/V Cover | 4 | 920489 | 35 | Key - Shaft | 1 | 909183 |
| 7 | Spring Guide - R/V | 1 | 422201 | 42 | Flange - 3" Weld | 2 | 652201 |
| 8 | Spring - R/V (51-110 psi) | 1 | 471807 | 42A | Seal Ring - Flange | 2 | 532201# |
| | Spring - R/V (111-150 psi) | | 471808 | 42B | Capscrew - Flange | 8 | 920489 |
| 9 | Valve - R/V | 1 | 452201 | 71 | Disc | 2 | 062203 |
| 10 | Seal Ring - R/V Cover | 1 | 532201# | 72 | Seal Ring - Head | 2 | 382201# |
| 12 | Cylinder | 1 | 022201 | 73 | Drain Plug (1/4") | 4 | 908193 |
| 13 | Rotor & Shaft | 1 | 262201 | 73A | Plug (1/8") | 1 | 908183 |
| 14 | Vane - Duravanc (Std.) | 6 | 091819 | 73B | Plug (1/4") | 1 | 908192 |
| | Vane - Laminate | | 091809 | 77 | Push Rod | 3 | 122201 |
| | Vane - EC Laminate | | 091829 | 88 | Gasket - R/V Cap | 1 | 533101# |
| | Vane - Carbon | | 092213 | | Shaft Support Bearing Kit | | 871168 |
| 20 | Head & Bushing Asy. - Inboard | 1 | 032203 | 106 | Flange - Bearing | 1 | 652251 |
| 21 | Capscrews - Head | 20 | 920365 | 106A | Locknut - Bearing Flange | 2 | 922428 |
| 23 | Head & Bushing Asy. - Outboard | 1 | 032204 | 106B | Bearing & Collar Asy. | 1 | 903121 |
| 24 | Sleeve Bearing | 2 | 161600 | 106C | Cover - Bearing Flange | 1 | 652253 |
| 25 | Dowel Pin - Head | 6 | 930570 | 106D | Capscrews - Bearing Flange | 4 | 920179 |
| 26 | Seal Ring - Bearing Cover | 1 | 382211# | 106E | Rod - Flange | 2 | 652252 |
| 27 | Bearing Cover | 1 | 042201 | | Gasket Repair Kit | | 892225 |

Parts Included in Gasket Repair Kit.

PARTS LIST NO. 285/G2

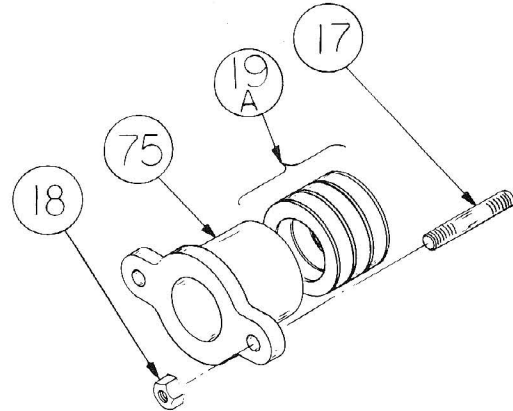
STNP3 - SHAFT PACKING - STANDARD

| REF. NO. | PART NAME | PARTS PER PUMP | PART NO. |
|----------|---------------------------------|----------------|----------|
| 17 | Stud - Packing Follower | 2 | 921441 |
| 18 | Locknut - Packing Follower Stud | 2 | 922416 |
| 19 | Packing | 1 | 322201 |
| 58 | Packing Washer | 1 | 352201 |
| 75 | Packing Follower | 1 | 142201 |



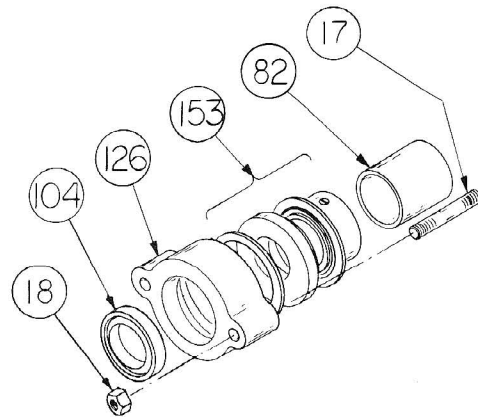
STNP3 - TEFLON LIP SEAL - OPTIONAL

| REF. NO. | PART NAME | PARTS PER PUMP | PART NO. |
|----------|---------------------------------|----------------|----------|
| 17 | Stud - Packing Follower | 2 | 921441 |
| 18 | Locknut - Packing Follower Stud | 2 | 922416 |
| 19A | Lip Seal Assembly | 1 | 332279 |
| 75 | Packing Follower | 1 | 142201 |



STNP3 - MECHANICAL SEAL - OPTIONAL

| REF. NO. | PART NAME | PARTS PER PUMP | PART NO. |
|----------|---|----------------|----------|
| 17 | Stud - Retainer | 2 | 921441 |
| 18 | Locknut - Retainer Stud | 2 | 922416 |
| 82 | Spacer - Seal | 1 | 372202 |
| 104 | Oil Seal | 1 | 904202 |
| 126 | Retainer - Seal | 1 | 332210 |
| 153 | Mechanical Seal Assembly - Crane Type 9 | 1 | 332203 |



STNP3 - MECHANICAL SEAL - OPTIONAL

| REF. NO. | PART NAME | PARTS PER PUMP | PART NO. |
|----------|--|----------------|----------|
| 17 | Stud - Retainer | 2 | 921441 |
| 18 | Locknut - Retainer Stud | 2 | 922416 |
| 82 | Spacer - Seal | 1 | 372202 |
| 104 | Oil Seal | 1 | 904202 |
| 123 | Gasket - Seal Retainer | 1 | 385380 |
| 126 | Retainer - Seal | 1 | 335310 |
| 153 | Mechanical Seal Assembly - Durametallc | 1 | 332200 |

