

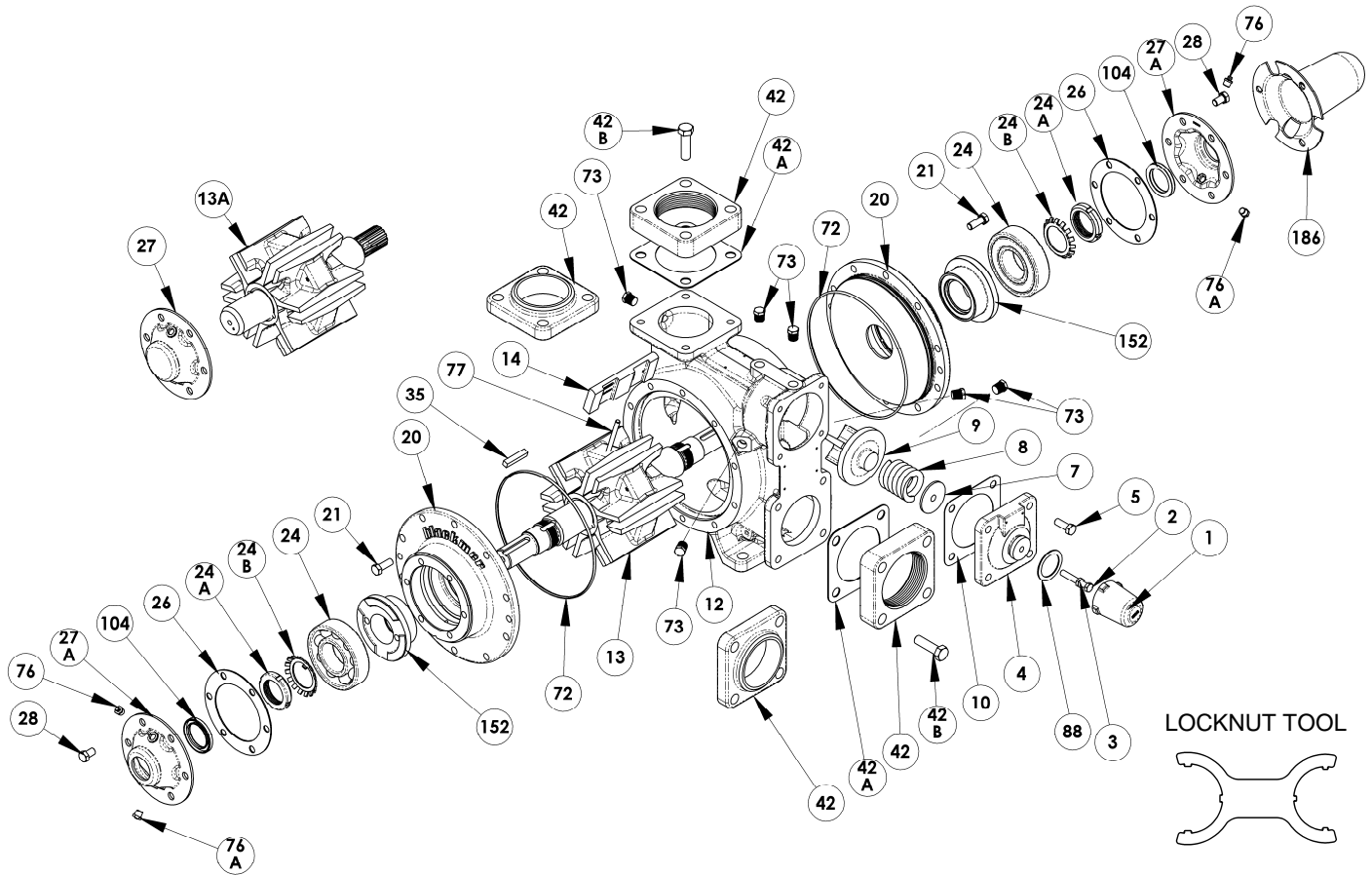
BLACKMER PARTS LIST

PUMP MODEL: TX206A

961817 **PARTS LIST**
Page 1 of 2 **205-B01**

Keep with Instructions 205-B00 for Installation, Operation and Maintenance

Section 205
Effective Sept 2009
Replaces Sept 2007

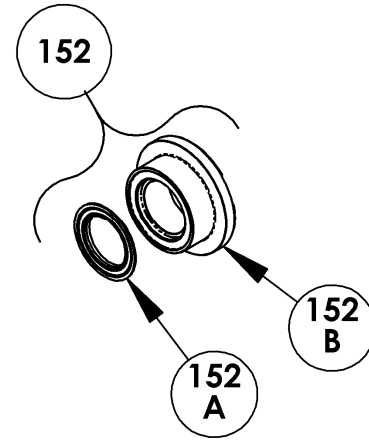


Ref. No.	Description	Parts per Pump	Part No.	Ref. No.	Description	Parts per Pump	Part No.
1	Cap - Relief Valve (R/V)	1	413957	27	Bearing Cover - Outboard, Splined Shaft	0-1	041817
2	Adjusting Screw - R/V	1	431808	27A	Bearing Cover	1-2	041815
3	Locknut - Adjusting Screw	1	922923	28	Capscrew - Bearing Cover	12	920285
4	Cover - R/V	1	411807	35	Key - Shaft	1	909184
5	Capscrew - R/V	4	920331	42	Flange - 3" NPT - Std.	2	651803
7	Spring Guide - R/V	1	421805	42	Flange - 3" Weld	2	655102
8	SS Spring - R/V (76 -110 psi)-Std	1	471807	42A	Gasket - Flange	2	381816
	SS Spring - R/V (111-125 psi)		471808	42B	Capscrews - NPT Flange	8	920532
9	Valve - R/V (Plated)	1	451808	42B	Capscrews - Weld Flange	8	920510
10	Gasket - R/V Cover	1	531803	72	O-Ring - Head (FKM) - Std.	2	702121
12	Cylinder	1	021821	72	O-Ring - Head (PTFE)	2	702235
13	Rotor & Shaft (DE Keyed) ¹	1	261830	73	Plug - 1/4" NPT	6	908198
13A	Splined SE Rotor & Shaft - LH Only	1	261831	76	Grease Fitting	2	317815
14	Vane - Duravane	6	091819	76A	Grease Relief Fitting	2	701992
20	Head	2	031872	77	Push Rod	3	121813
21	Capscrew - Head	20	920331	88	Seal Ring - R/V Cap	1	533908
24	Bearing	2	903172	104	Oil Seal	2	331908
24A	Locknut	2	903523	152	Lip Seal Assembly -Std.	2	335221
24B	Lockwasher	2	903524	186	Shaft Protector	0-1	341801
26	Gasket - Bearing Cover	2	381817		Tool - Locknut		903091
					Hydraulic Motor Adapter Kit (SAE A)		See Backside

¹ Includes 24A and 24B.

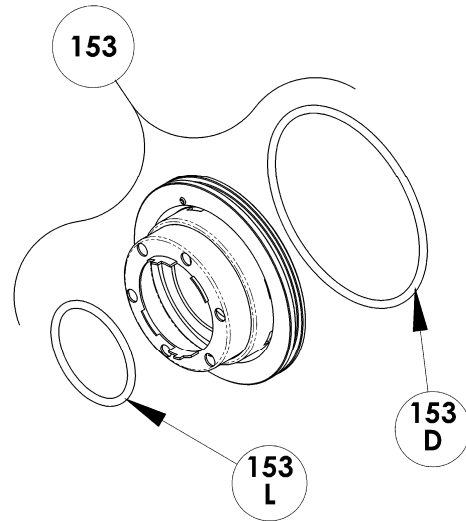
LIP SEAL - STANDARD

Ref. No.	Part Name	Parts Per Pump	Part No.
152	Lip Seal Complete	2	335221
152A	Lip Seal– Stationary (Turcon)	2	331759
152B	Housing - Lip Seal	2	335222



MECHANICAL SEAL - OPTIONAL

Ref. No.	Part Name	Parts Per Pump	Part No.
153	Mechanical Seal Complete – Cast Iron Stationary Seat, Carbon Seal Face, FKM O-Rings. – IVCV	2	331883
153D	O-Ring – Stationary (FKM)	2	711931
153L	O-Ring – Rotating (FKM)	2	701962



OPTIONAL HYDRAULIC MOTOR ADAPTER PARTS

REF. NO.	PART NAME	PARTS PER PUMP	PART NO. STD SHAFT	PART NO. SPLINED SHAFT
See Below	Hydraulic Motor Adapter Kit *	See Below	895141	895142
26A	Gasket – Hydraulic Motor Adapter	1	381817	381817
28A	Capscrew – Hydraulic Motor Adapter / Head	6	920331	920331
34	Coupling w/ Setscrew – 1.25" straight key	1	906970	N/A
	Coupling – 1.25", 14 Point Splined Shaft		N/A	906009
35	Key – Coupling	1	909184	N/A
76	Grease Fitting	1	317815	317815
76A	Grease Relief Fitting	1	701992	701992
135	Hydraulic Motor Adapter – SAE A Flange	1	041806	041803
135A	Capscrew – Adapter / Motor	2	920510	920510

