

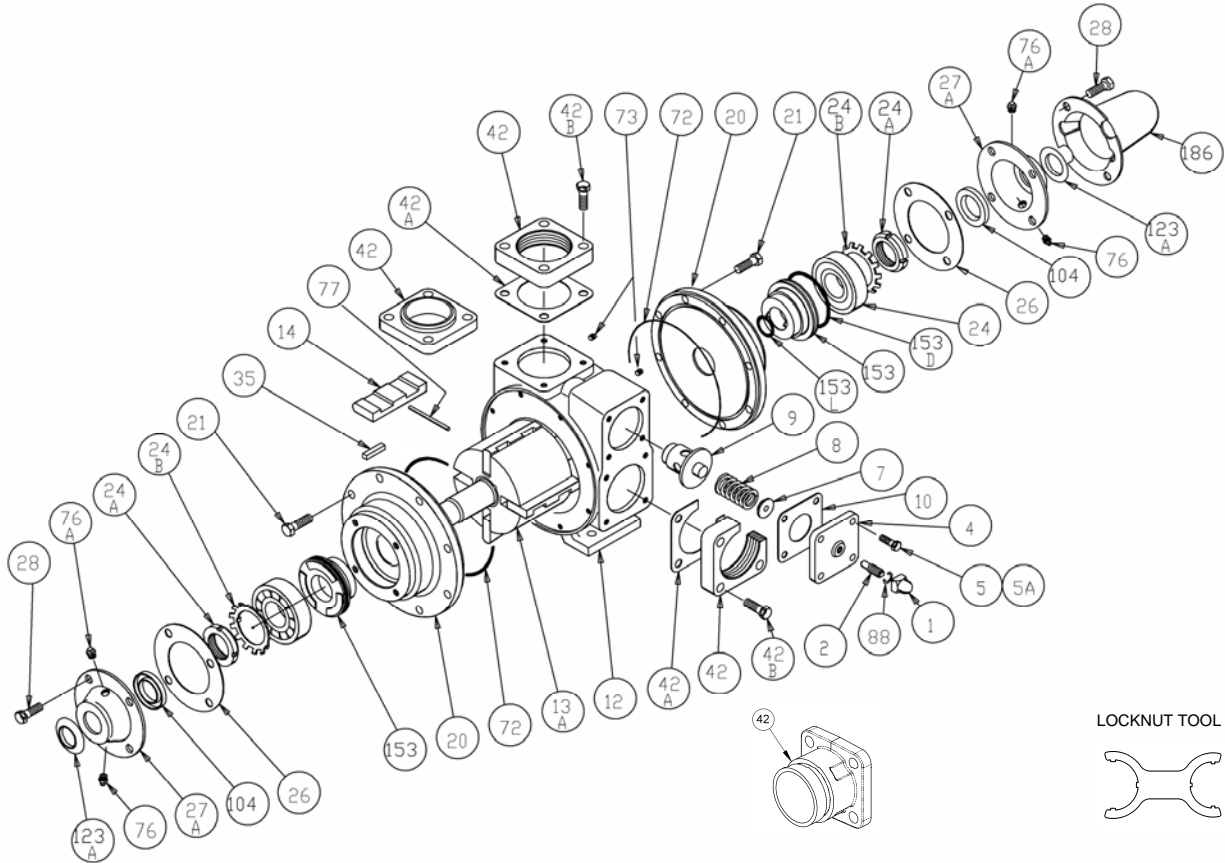
BLACKMER PARTS LIST

PUMP MODELS: TXD2A (Double Ended Shafts) TX2A (Single Ended Shafts)

Keep with Instructions 201-A00 for Installation, Operation and Maintenance

961415 **PARTS LIST**
Page 1 of 2 **201-A02**

Section 201
Effective Jan 2012
Replaces Oct 2009



Ref. No.	Description	Parts Per Pump	Part No.	Ref. No.	Description	Parts Per Pump	Part No.
1	Cap – Relief Valve (R/V)	1	411453	24B	Lock washer - Bearing	0 - 2	⁴ 903522
2	Adjusting Screw – R/V	1	431401	26	Gasket – Bearing Cover	1 - 2	¹ 381406
4	Cover – R/V	1	411401	27A	Bearing Cover	1 - 2	041431
5	Capscrew – R/V Cover	3	920316		Bearing Cover – Outboard	0 - 1	041433
5A	Capscrew w / Hole – R/V Cover	1	920310	28	Capscrews – Bearing Cover	8	920285
7	Spring Guide – R/V	1	423955	35	Key – Shaft Square	1	^{1,6} 909209
8	Spring – R/V (36-50 psi) Spring – R/V (51-75 psi) Spring – R/V (76-110 psi) (Std.) Spring – R/V (111-125 psi)	1	471415 471420 471425 471428	42 – 42C	Flanges, Flange Gaskets / O-rings, and Flange Capscrews		See Backside
9	Valve – R/V ⁵ Valve – R/V (Ni Plated)	1	451417 451415	72	O-Ring – Head (FKM) O-Ring – Head (Buna-N) O-Ring – Head (PTFE)	2	¹ 701914 ¹ 701947 702242
10	Gasket – R/V Cover	1	¹ 531403	73	Gage Plug	2	908198
12	Cylinder	1	021403	76	Grease Fitting	2	317815
13A	Rotor & Shaft – Double Ended Rotor & Shaft – Single Ended	1	² 261411 ³ 261410	76A	Grease Relief Fitting	2	701992
14	Vane – Duravane	4	¹ 091419	77	Push Rod	2	¹ 123905
20	Head (Std.) Head with Drain	2	031425 031426	88	Gasket – R/V Cap	1	¹ 701981
21	Capscrews – Head	16	920331	104	Grease Seal	1 - 2	¹ 331918
24	Ball Bearing	2	¹ 903156	123A	Dirt Shield	1 - 2	¹ 701480
24A	Locknut - Bearing	0 - 2	⁴ 903521	186	Shaft Protector	0 - 1	341601
					Air Valve Kit		891454
					Tool - Locknut		903091
					Maintenance Kit, FKM (TXD2A only)		898956
					Maintenance Kit, Buna (TXD2A only)		898950

¹ Included in Maintenance Kit

² Includes 24A & 24B

³ SE shaft does not use locknut (24A) or lockwasher (24B)

⁴ Earlier TXD2A and current TX2A are not fitted with locknuts and lock washers.

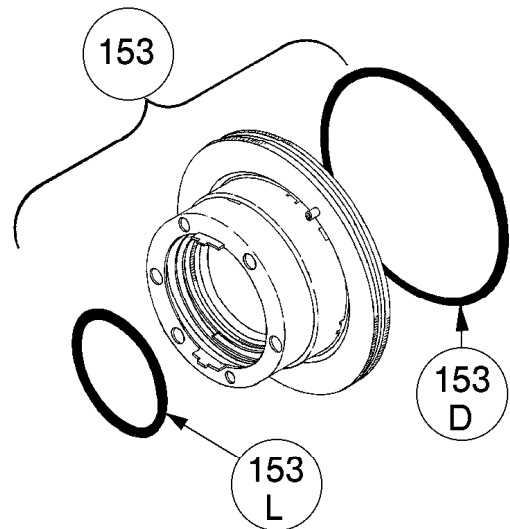
The current DE rotor / shaft with locknuts and lock washers may be fitted in place of shafts without locknuts and lock washers.

⁵ For Piston Style Air Operated RV see IOM 201-G00, Diaphragm Air RV – 201-F00, DMX Diaphragm RV – 201B-B00.

⁶ Maintenance Kit also includes Woodruff Key 909130 used previously.

MECHANICAL SEALS

REF. NO.	PART NAME	PARTS PER PUMP	PART NO.
153	Mechanical Seal Complete - Cast Iron Stationary Seat, FKM O-Rings, Carbon Seal Face. (IVCV)	2	¹ 331655
	Mechanical Seal Complete - Cast Iron Stationary Seat, Carbon Seal Face, Buna-N O-Rings. (INCN)		¹ 331601
	Mechanical Seal Complete - Cast Iron Stationary Seat, PTFE O-Ring, Carbon Seal Face w/ PTFE Seal Ring. (IACT)		331673
153D	O-Ring – Stationary (FKM)	2	701921
	O-Ring – Stationary (Buna-N)		701934
	O-Ring – Stationary (PTFE)		702056
153L	O-Ring – Rotating (FKM)	2	701980
	O-Ring – Rotating (Buna-N)		701922
	Seal Ring – Rotating (PTFE)		**

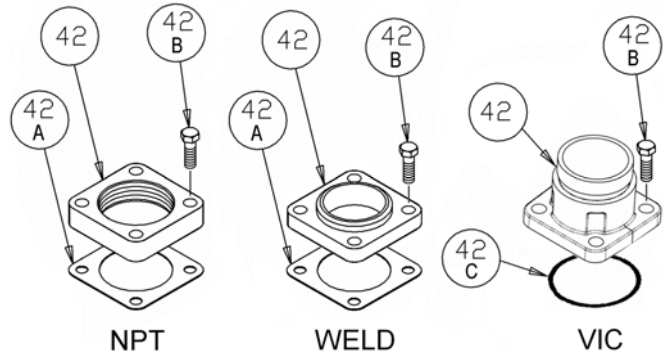


¹ Included in Maintenance Kit

** PTFE Rotating Seal Ring is not available as a separate part.

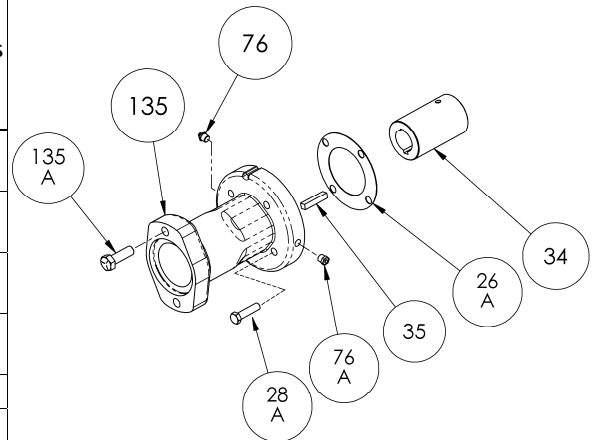
FLANGES

REF. NO.	PART NAME	PARTS PER PUMP	PART NO.
42	Flange – 2" NPT	1 – 2	651411
	Flange – 2" Weld		654405
	Flange – 2" Victaulic		654408
42A	Gasket – Flange, NPT and Weld	0 – 2	¹ 381421
42B	Capscrews – 2" NPT Flange	4 – 8	920351
	Capscrews – Victaulic Flanges		920331
42C	O-Ring – Victaulic Flange (Buna-N)	0 – 2	702004
	O-Ring – Victaulic Flange (FKM)		702086
	O-Ring – Victaulic Flange (PTFE)		702078



OPTIONAL HYDRAULIC MOTOR ADAPTER

REF. NO.	PART NAME	PARTS PER PUMP	PART NO. 1-1/4" Hyd Motor Shaft	PART NO. 1" Hyd Motor Shaft	PART NO. 1" H-Series Hyd Motor Shaft
See Below	Hydraulic Motor Adapter Kit	See Below	891458	891205	891464
26A	Gasket – Hydraulic Motor Adapter	1	383940	383940	383940
28A	Capscrew – Hydraulic Motor Adapter / Head	4	920369	920369	920369
34	Coupling w/ Setscrew – for straight key hyd. motor shaft	1	906967	906966	906966
35	Key – Coupling	1	909184	N/A	N/A
76	Grease Fitting	1	317815	317815	317815
76A	Grease Relief Fitting	1	701992	701992	701992
135	Hydraulic Motor Adapter – SAE A Flange	1	041828	041827	041807
135A	Capscrew – Adapter / Motor	2	920510	920510	920510



* Hydraulic Motor Adapter Kits shipped prior to Spring 2002 were of a two piece design – refer to page 206-B00.



1809 Century Avenue, Grand Rapids, Michigan 49503-1530, U.S.A.
 Telephone: (616) 241-1611 / Fax: (616) 241-3752
 E-Mail: blackmer@blackmer.com / Internet: www.blackmer.com

Parts List 201-A02
 Page 2 of 2