

BLACKMER (Abaque Series) PARTS LIST

PUMP MODEL: ASX65

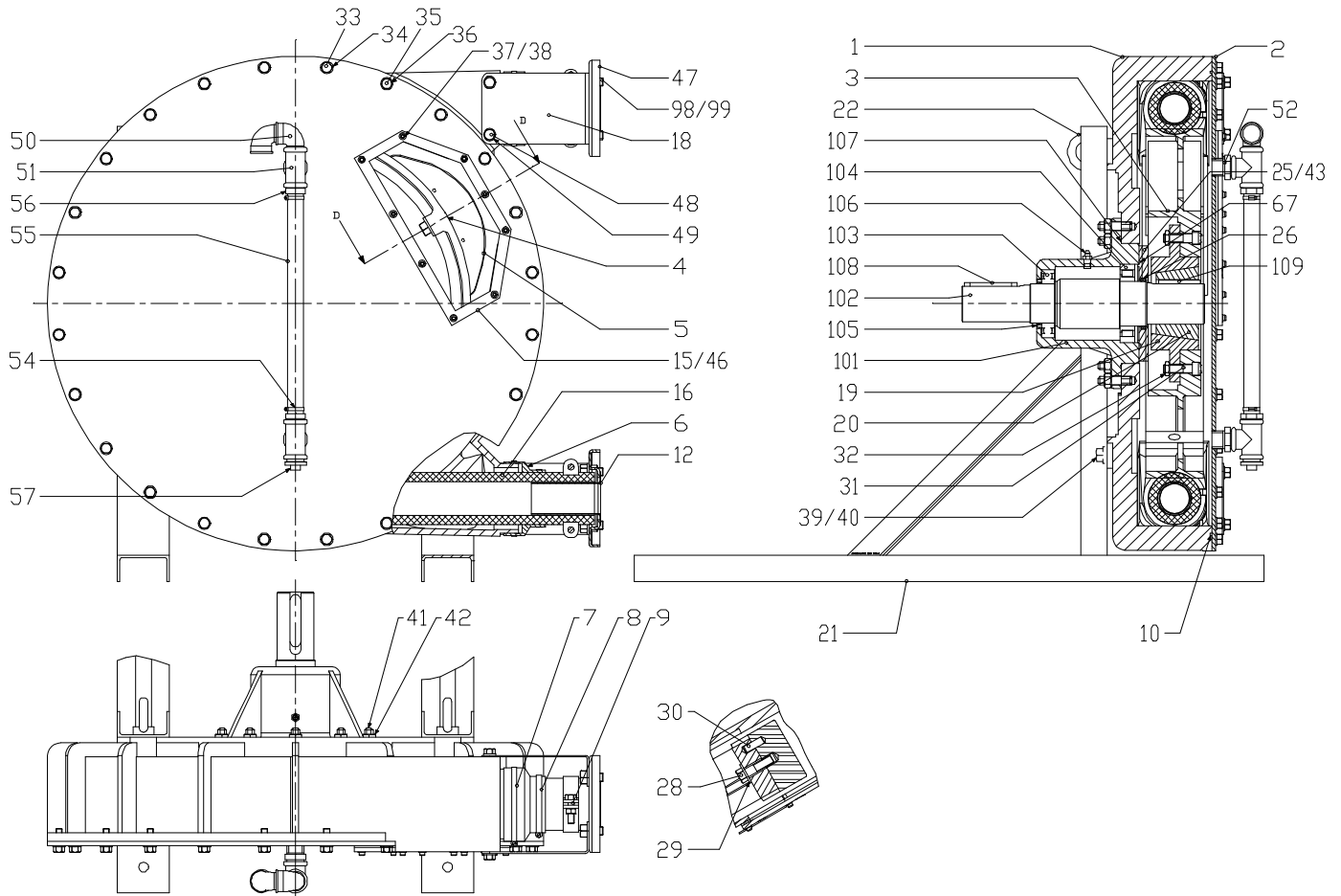
Discontinued Model, Parts availability may be limited.

(See Instructions 1101-B00 for Installation, Operation and Maintenance)

962420 **PARTS LIST**
Page 1 of 2 **1101-B14_jan2001**

Section	1100
Effective	Jan 2001
Replaces	New

See Parts Listing on reverse side of page.



BLACKMER (Abaque Series) PARTS LIST

PUMP MODEL: ASX65

See Pump drawing on reverse side of page.

REF. NO.	PART NAME	PARTS PER PUMP	PART NO.	REF. NO.	PART NAME	PARTS PER PUMP	PART NO.
1	Pump Body 350/400/450	1	Y217275	34	Cover Washer	24	Y200173
2	Cover	1	Y217493	35	Cover Stud	4	Y217237
3	Wheel	1	Y217292	36	Cover Nut	4	Y217228
4	Shim	See Note (1)	Y217057	37	Cap Screw	9	Y215864
5	Shoe - Aluminum	2	Y217498	38	Cap Washer	6	Y200169
	x			39	Frame Screw	2	Y217214
6	Hose Boot	2	Y217073	40	Frame Washer	2	Y217221
7	Clamp	2	Y217082	41	Stud	8	Y217650
8	Clamp	2	Y218840	42	Gear Box Nut	8	Y217233
9	Clamp	2	Y217088	43	Bolt	8	Y200414
10*	O-Ring	2775 mm	Y219113	46	Window Seal	1	Y217398
12*	Insert – Hose (SS316) (Std.)	2	Y217322	47	Flange ANSI 150	2	Y219150
	Insert – Hose (PPH)		Y217323	48	Flange Bracket Screw	8	Y200367
	Insert – Hose (PVDF)		Y217324	49	Flange Bracket Washer	8	Y200173
14*	Lubricant	20000 ml	Y220005	50	90° Bend	2	Y217433
15	Window	1	Y217100	51	T Connection	2	Y217434
16*	Hose – Natural Rubber (Std.)	1	Y218739	52	Male Connection	2	Y217435
	Hose – NBR (Buna)		Y218740	54	Clamp	2	Y217046
	Hose – EPDM		Y218741	55	Level Tube	450 mm	Y217432
18	Flange Bracket ANSI 150	4	Y219100	56	Male Adapter	2	Y217436
19	Bolt on Hub	1	Y217165	57	Level Plug	1	Y208457
20	Hub	1	Y217158	67*	O-Ring	740 mm	Y104103
21	Frame	2	Y217174	101	Bearing Case Body	1	Y217696
22	Eye Bolt	2	Y217339	102	Shaft	1	Y217638
25	Closure Plate	1	Y217723	103	Ball Bearing	1	Y217698
26*	Shaft Seal	1	Y217710	104	Cylinder Bearing	1	Y217697
28	Shoe Bolt	2	Y217652	105	Seal	1	Y217709
29	Shoe Washer	2	Y217226	106	Grease Fitting	1	Y217673
30	Pin	2	Y212291	107*	O-Ring	750 mm	Y104103
31	Hub Screw	6	Y217207	108	Key	1	Y213675
32	Hub Nut	6	Y217233	109	Shaft Key for Wheel	1	Y218703
33	Cover Bolt	20	Y200368				

* Recommended spare parts.

PPH = Polypropylene.

EPDM = Ethylene Propylene Diene Monomer.

PVDF = Polyvinylidene Fluoride .

Note (1) – Refer to Shim Chart for quantity of shims required for the particular application. Remember that there are two (2) shoes that need to be shimmed equally.

IMPORTANT NOTE: This parts list should be kept with Installation, Operation and Maintenance Instructions 1101-B00.



1809 Century Avenue, Grand Rapids, Michigan 49509-1595, U.S.A.
 Telephone: (616) 241-1611 / Fax: (616) 241-3752
 E-Mail: blackmer@blackmer.com / Internet: www.blackmer.com

Parts List 1101-B14
 Page 2 of 2