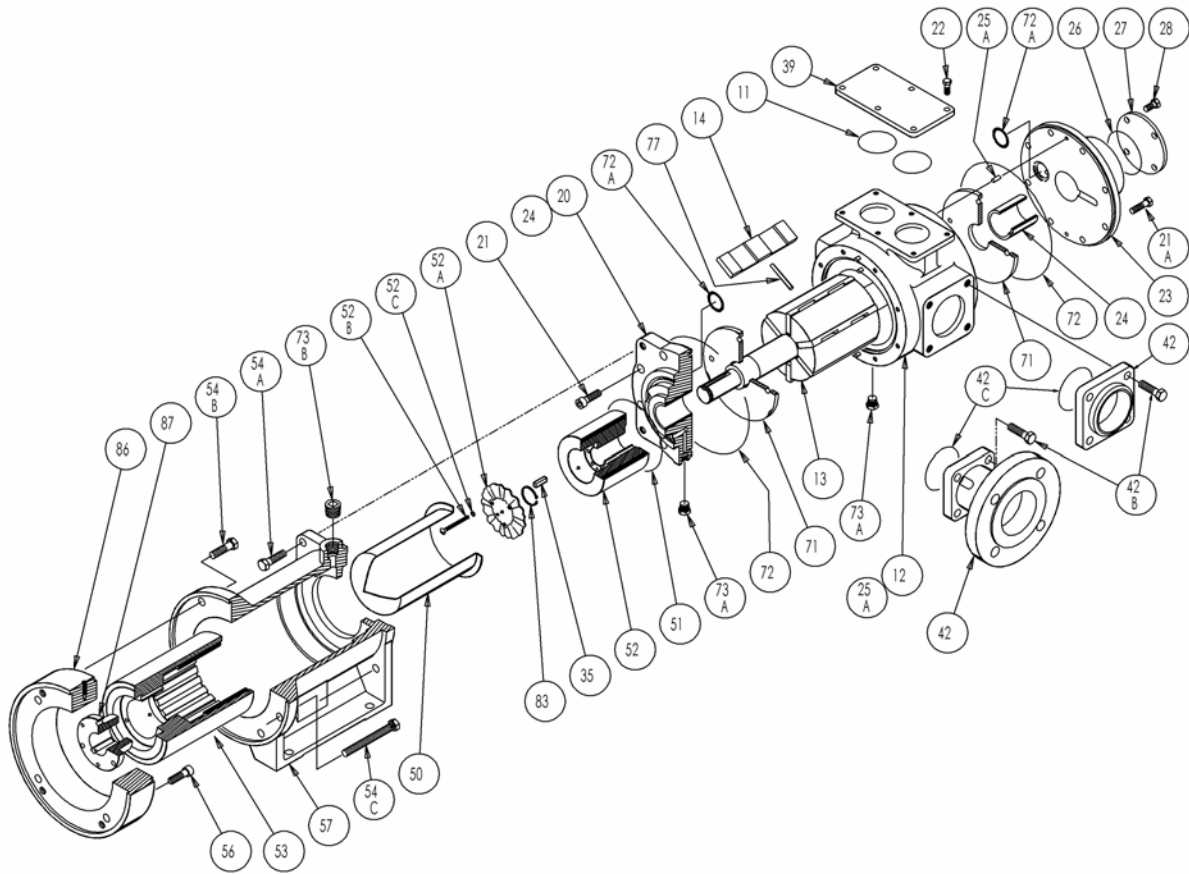


BLACKMER PARTS LIST

PUMP MODELS: SMVP200B

(See Instructions 108-B00 for Installation, Operation and Maintenance)

Section | 108
Effective | Aug 2007
Replaces | April 2005



Ref. No.	Description	Parts per Pump	Part No.	Ref. No.	Description	Parts per Pump	Part No.
11	O-Ring - Blanking Plate (PTFE)	2	702078	52A	Impeller	1	684502
12	Cylinder	1	024501	52B	Capscrews - Impeller	3	920021
13	Rotor & Shaft	1	² 264500	52C	Lockwashers - Impeller	3	909530
14	Vane - Duravane	6	¹ 094500	53	Outer Magnet	1	See Back
	Vane - EC Laminate		094502	54A	Capscrews - Housing/Head	4	920467
20	Inboard Head & Bearing Asy.	1	034500	54B	Capscrews - Housing/Adapter	4	920535
21	Capscrews - Inboard Head	8	920340	54C	Jackscrews	2	920599
21A	Capscrews - Outboard Head	8	920365	56	Capscrews - Adapter/Motor 254-256TC Frame	4	920510
22	Capscrews - Blanking Plate	6	920335		Capscrews - Adapter/Motor 284-286TC Frame		920553
23	Outboard Head & Bearing Asy.	1	034501	57	Magnet Housing	1	684530
24	Sleeve Bearing	2	¹ 164500	71	Disc - Chem Disc	2	² 064500
25A	Dowel Pin	6	930564	72	O-Ring - Head (PTFE)	2	¹ 702202
26	O-Ring - Bearing Cover (PTFE)	1	¹ 702078	72A	Inner O-Ring - Head (PTFE)	2	¹ 702075
27	Bearing Cover	1	044500	73	Gage Plug (1/4" NPT)	2	908193
28	Capscrews - Bearing Cover	4	920335	73A	Drain Plug (SAE #6) w/ PTFE O-Ring	2	908213
35	Key - Shaft	1	¹ 909168	73B	Plug (1/2" NPT)	1	908217
39	Blanking Plate	1	494500	77	Push Rod	3	¹ 124500
42	Flange - Weld	0 - 2	652201	83	Snap Ring	1	¹ 903596
	Flange - ANSI		654500	86	Motor Adapter -254-256TC Frame	1	834501
42B	Capscrew - Flange	0-8	920516	Motor Adapter - 284-286TC Frame	834502		
42C	O-Ring - Flange (PTFE)	0-2	702101	87	Bushing - Outer Magnet	1	See Back
50	Containment Can	1	684501	—	Warning Label - Magnet Housing	1	909504
51	O-Ring - Containment Can	1	¹ 702239	—	Kit - Maintenance	—	898942
52	Inner Magnet	1	See Back	—	Kit - Rebuild	—	899042

¹ Included in Maintenance Kit and Rebuild Kit

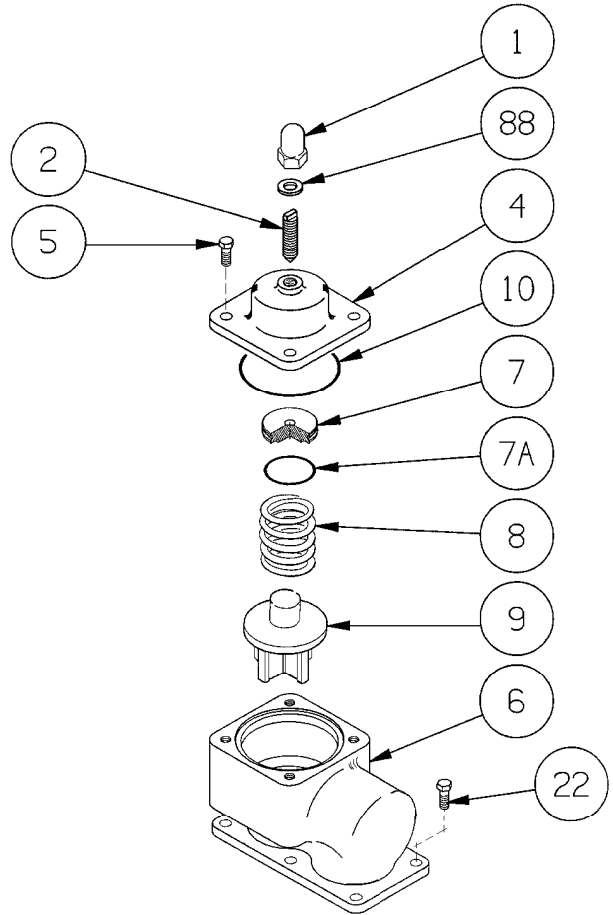
² Included in Rebuild Kit

EC = Extra Clearance

Keep this parts list with Installation, Operation and Maintenance Instructions.

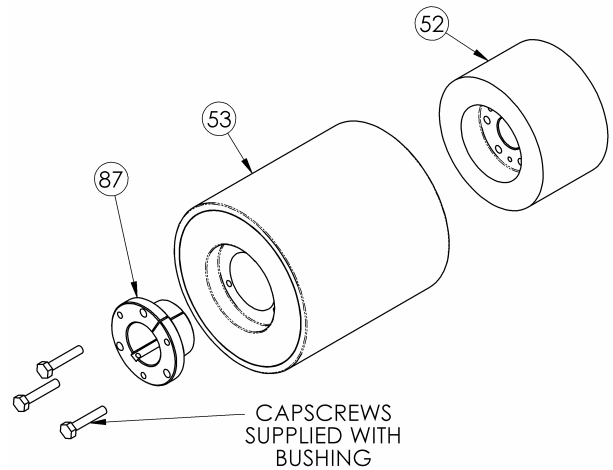
RELIEF VALVE - OPTIONAL

Ref. No.	Part Name	Parts Per Pump	Part No.
1	Cap - Relief Valve (R/V)	1	413151
2	Adjusting Screw - R/V	1	433101
4	Cover - R/V	1	414500
5	Capscrews - R/V Cover	4	920335
6	Body - R/V	1	404500
7	Spring Guide - R/V	1	424500
7A	O-Ring - Spring Guide (PTFE)	1	702110
8	Spring - R/V (35-75 psi)	1	471807
	Spring - R/V (76-125 psi)		471808
9	Valve - R/V	1	452201
10	O-Ring - R/V Cover (PTFE)	1	702080
22	Capscrews - R/V Body	6	920335
88	Gasket - R/V Cap	1	533101



MAGNET OPTIONS

Ref. No.	Part Name	Parts Per Pump	Part No.
52	Inner Magnet (MC130)	1	684512
53	Outer Magnet (MC130)	1	684522
	254TC-256TC Frame 284TC-286TC Frame		
87	Bushing Outer Magnet (MC130) 254TC-256TC Frame	1	902460
	Bushing Outer Magnet (MC130) 284TC-286TC Frame		
	Bushing Outer Magnet (MC130) MC280TC Motor Coupling Adaptor		902461



* For motor frame sizes larger than 280TC, use Blackmer Motor Coupling Adapter MCA280TC and a foot mounted (Non "C" face) motor.

