

BLACKMER PARTS LIST

PUMP MODELS: SMVP15B, SMVP30B

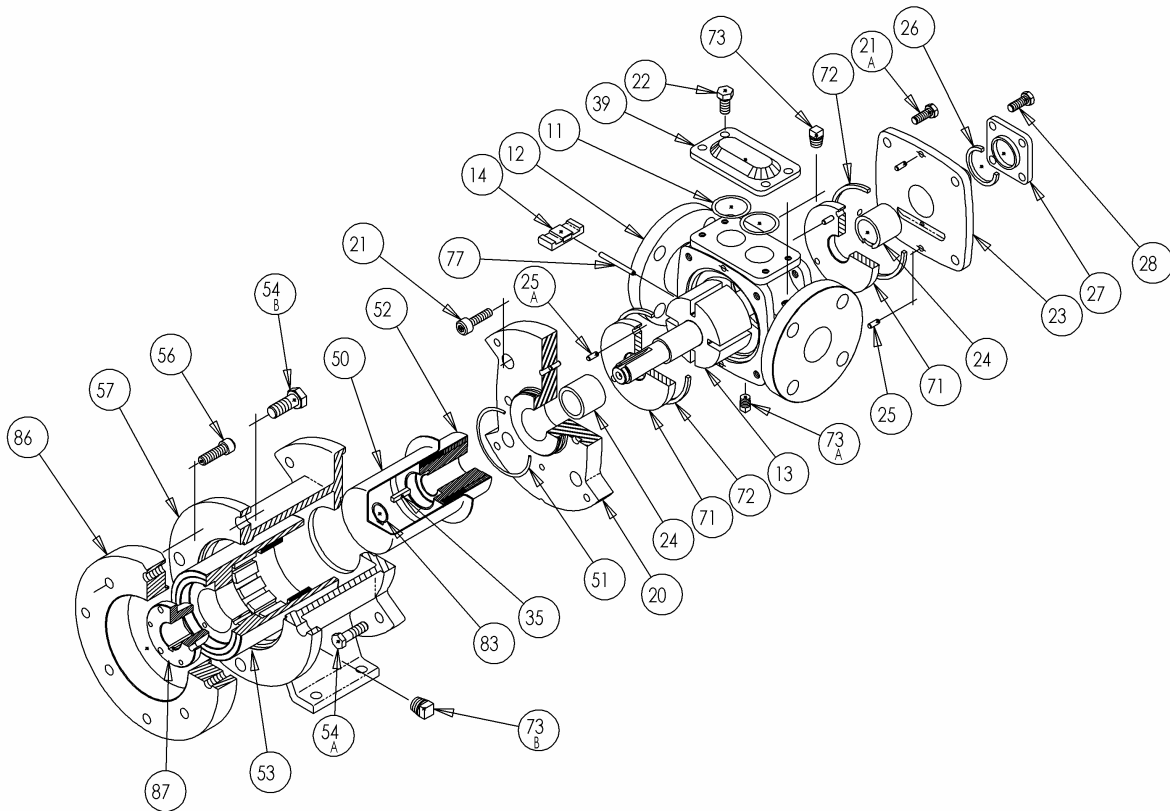
See Instructions 108-A00 for Installation, Operation and Maintenance

Discontinued Models: SMVP15, SMVP30

See Instructions 185/U for Installation, Operation and Maintenance

963101 **PARTS LIST**
Page 1 of 2 **108-A02**

Section 108
Effective Sept 2007
Replaces April 2007

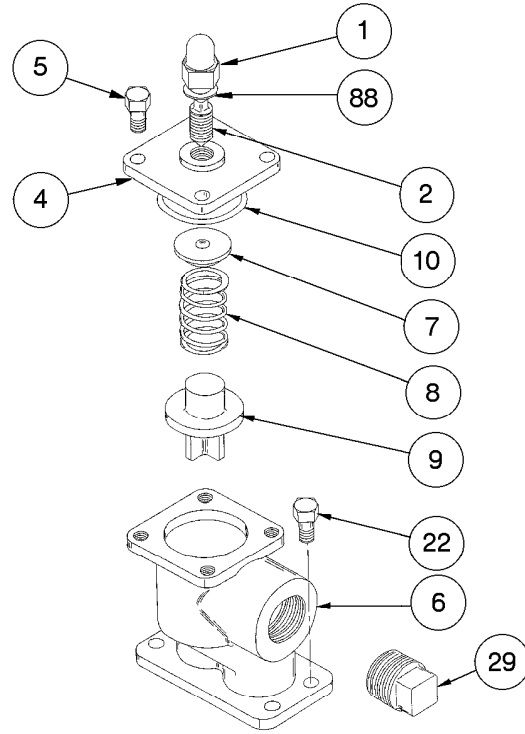


Ref. No.	Description	Parts per Pump	Part No.	Ref. No.	Description	Parts per Pump	Part No.
11	Seal Ring - Blanking Plate (PTFE)	2	711956	54B	Capscrews - Housing/Adapter	4	920495
12	Cylinder - SMVP15	1	023101	56	Capscrews - Adapter/Motor (143-145TC Frame)	4	920356
	Cylinder - SMVP30		023111		Capscrews - Adapter/Motor (182-184TC, 213-215TC Frame)		920495
13	Rotor & Shaft	1	² 263100	57	Magnet Housing	1	681203
14	Vane - Duravane	4	¹ 093107	71	Disc	2	² 063103
20	Inboard Head & Bearing Asy.	1	033100	72	Seal Ring - Head (PTFE)	2	¹ 711955
21	Capscrews - Inboard Head	4	920338	73	Gage Plug (1/4" NPT)	2	908193
21A	Capscrews - Outboard Head	4	920293	73A	Drain Plug (1/8" NPT)	1	908183
22	Capscrews - Blanking Plate	4	920129	73B	Plug - Housing (1/2" NPT)	1	908217
23	Outboard Head & Bearing Asy.	1	033104	77	Push Rod - SMVP15	2	¹ 123101
24	Sleeve Bearing	2	¹ 161201		Push Rod - SMVP30		¹ 123111
25	Dowel Pin - Head	4	930564	83	Snap Ring	1	¹ 903599
25A	Dowel Pin - Disc	2	930565	86	Motor Adapter - 143-145TC Frame	1	831200
26	Seal Ring - Bearing Cover	1	¹ 711957		Motor Adapter - 182-184TC Frame		831201
27	Bearing Cover	1	043101		Motor Adapter - 213-215TC Frame		831204
28	Capscrews - Bearing Cover (PTFE)	4	920129	87	Bushing - Outer Magnet	1	See Back
35	Key - Shaft	1	¹ 909196	—	Warning Label - Magnet Housing	1	909504
39	Blanking Plate	1	493101	—	Kit - Maintenance - SMVP15B	—	898938
50	Containment Can	1	681242	—	Kit - Maintenance - SMVP30B	—	898939
51	O-Ring - Containment Can (PTFE)	1	¹ 702077	—	Kit - Rebuild - SMVP15B	—	899038
52	Inner Magnet	1	See Back	—	Kit - Rebuild - SMVP30B	—	899039
53	Outer Magnet	1	See Back				
54A	Capscrews - Housing/Head	4	920331				

¹ Included in Maintenance Kit and Rebuild Kit ² Included in Rebuild Kit
Keep this parts list with Installation, Operation and Maintenance Instructions.

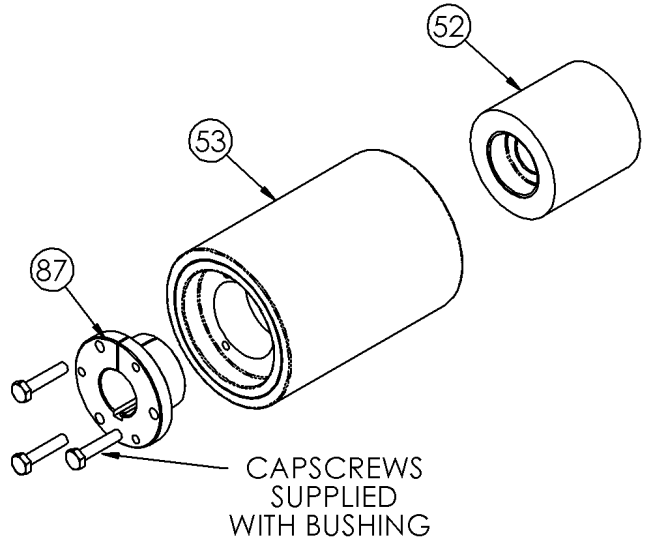
RELIEF VALVE - OPTIONAL

Ref. No.	Part Name	Parts Per Pump	Part No.
1	Cap - Relief Valve (R/V)	1	413151
2	Adjusting Screw - R/V	1	433101
4	Cover - R/V	1	413101
5	Capscrews - R/V Cover	4	920129
6	Body - R/V	1	403101
7	Spring Guide - R/V	1	423101
8	Spring - R/V (51-75 psi)(Std.)	1	471418
	Spring - R/V (76-100 psi)		471427
	Spring - R/V (101-150 psi)		471429
9	Valve - R/V	1	453101
10	Seal Ring - R/V Cover (PTFE)	1	711958
22	Capscrews - R/V Body	4	920129
29	Plug (1")	0 - 1	908229
88	Gasket - R/V Cap	1	533101



MAGNET OPTIONS

Ref. No.	Part Name	Parts Per Pump	Part No.		
52	Inner Magnet (MC10)	1	681260		
	Inner Magnet (MC20)		681261		
53	Outer Magnet (MC10) 143-145TC Frame 182-184TC Frame	1	681270		
	Outer Magnet (MC20) 182-184TC Frame 213-215TC Frame			681271	
	87		Bushing Outer Magnet (MC10) 143-145TC Frame		1
			Bushing Outer Magnet (MC10) 182-184TC Frame	902451	
Bushing Outer Magnet (MC20) 182-184TC Frame		902453			
Bushing Outer Magnet (MC20) 213-215TC Frame					



Discontinued Models SMVP15 & SMVP30 used different magnets and lockcollars in place of ref. (87) bushing. Replacement of either the Inner Magnet (52), outer Magnet (53), or lockcollars (87) on these models will require the replacement of all three parts.

